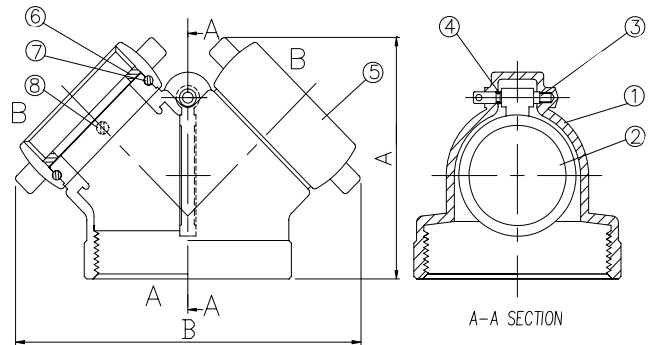


**S201B
STRAIGHT SINGLE
CLAPPER
TWO-WAY INLETS**

An exposed auxiliary inlet connection with 500G.P.M.inlet capacity to supplement fire protection water supply. Exposed design provides an economical method of satisfying Fire Dept. inlet requirements.



Specs

Size: 4" IPS Outlet
(2) 2 1/2" NST
Swivel Inlets

Swivels:

- 2 1/2" NST
- BCT
- QST
- ONT
- PHX
- TEM
- CLV
- NYFD
- CSA

Standard equipment.

Cast brass two-way inlet body
Only with single swing clapper
And pin or rocker lug hose thread
Swivel; angle NPT outlet connection.

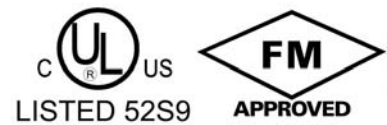
Branding:

"AUTO SPKR"

Optional Finishes:

RP-Red Painted

	4x2 1/2"
A	5-33/64"
B	8-5/64"

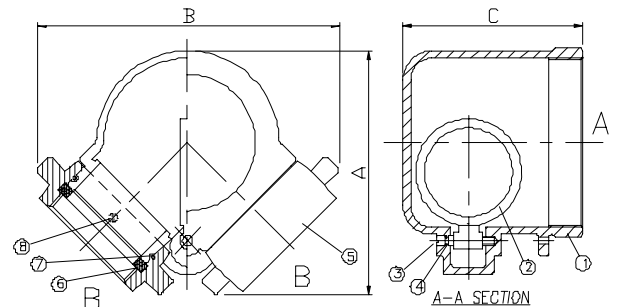


NO	NOMENCLATUR	MATERIALS	NO	NOMENCLATUR	MATERIALS
1	BODY	ASTM B584 C85700	5	HOSE COUPLING	ASTM B584 C85700
2	CLAPPER	ASTM B584 C85700	6	RUBBER FACING	VULCANIZED RUBBER
3	HINGE PIN	ASTM B16 C36000	7	BALL BEARINGS	AISI 304
4	O-RING	VULCANIZED RUBBER	8	SCREW	ASTM B16 C36000



**S202D
90° SINGLE CLAPPER
TWO-WAY INLETS**

An exposed auxiliary inlet Connection with 500G.P.M inlet Capacity to supplement fire Protection water supply. Exposed Design provides an economical Method of satisfying Fire Dept. Inlet requirements.



Specs

Size : 4" IPS Outlet
(2) 2 1/2" NST
Swivel Inlets

Swivels:

- 2 1/2" NST
- BCT
- QST
- ONT
- PHX
- TEM
- CLV
- NYFD
- CSA

Standard equipment:

Cast brass two-way inlet body
Only with single swing clapper
And pin or rocker lug hose thread.
Swivel ; angle NPT outlet connection.

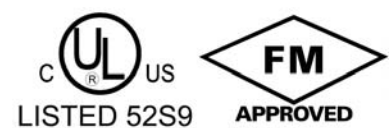
Branding:

"AUTO SPKR"

Optional Finishes:

RP-Red Painted

	4x2 1/2"
A	5-33/64"
B	8-5/64"



NO	NOMENCLATUR	MATERIALS	NO	NOMENCLATUR	MATERIALS
1	BODY	ASTM B584 C85700	5	HOSE COUPLING	ASTM B584 C85700
2	CLAPPER	ASTM B584 C85700	6	RUBBER FACING	VULCANIZED RUBBER
3	HINGE PIN	ASTM B16 C36000	7	BALL BEARINGS	AISI 304
4	O-RING	VULCANIZED RUBBER	8	SCREW	ASTM B16 C36000